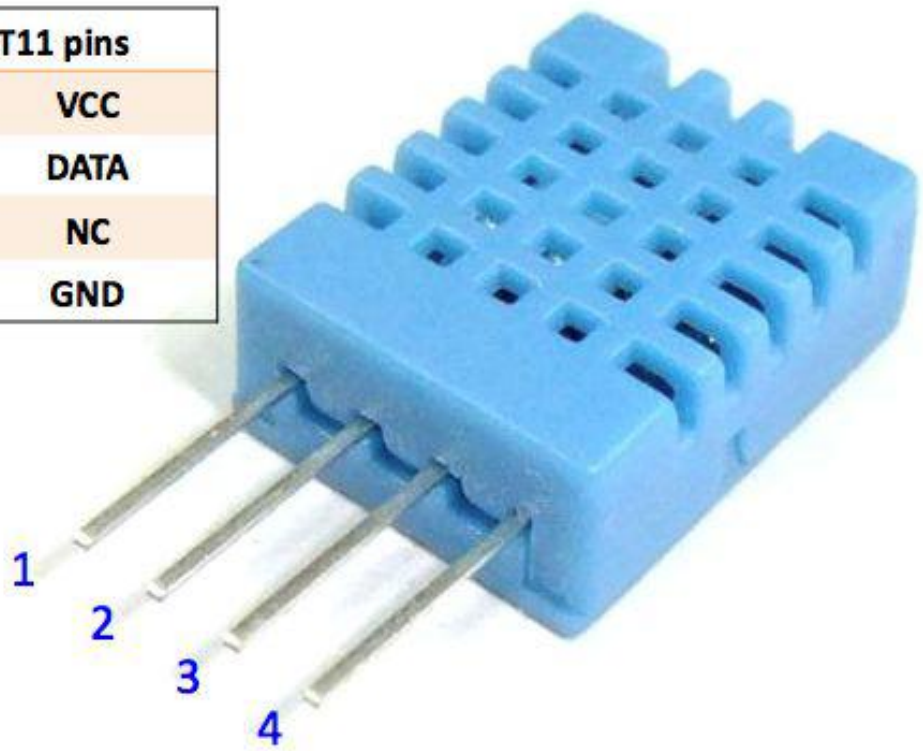


DHT11 pins	
1	VCC
2	DATA
3	NC
4	GND



Typical Application

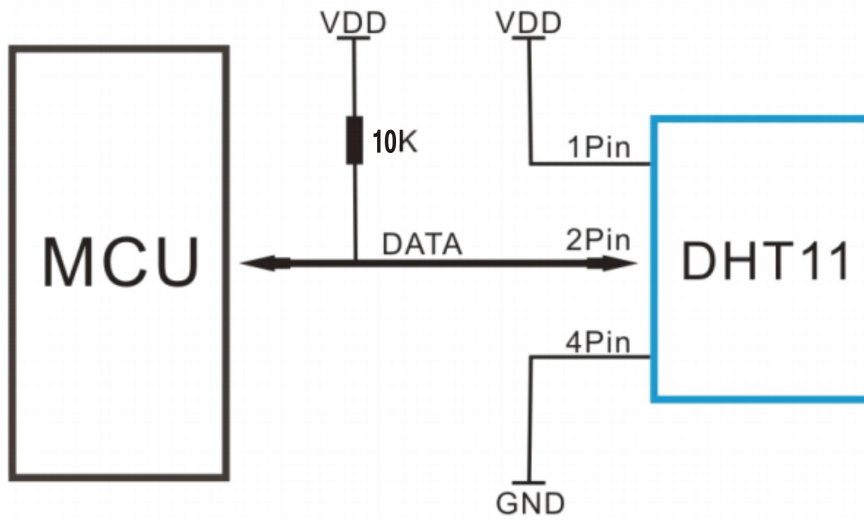
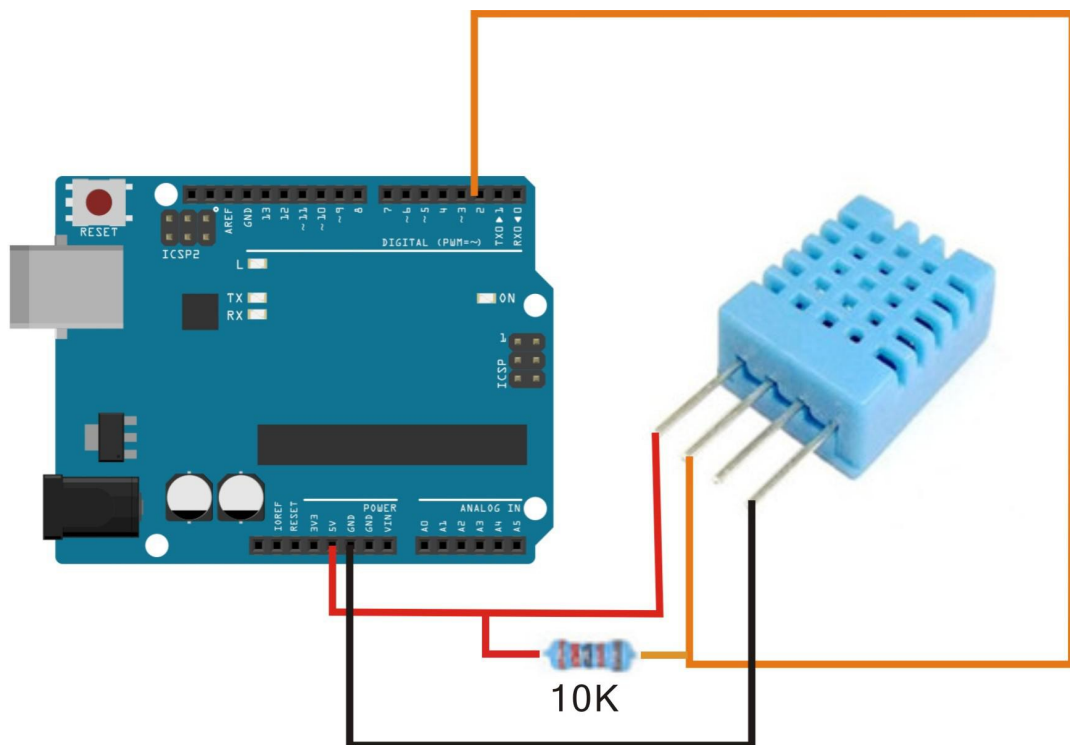
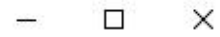


Figure 1 Typical Application



COM3 (Arduino Uno)



```
Humidity: 65%  
Temperature: 26  
Humidity: 65%  
Temperature: 26  
Humidity: 65%  
Temperature: 26  
Humidity: 66%  
Humidity: 65%  
Temperature: 26  
Humidity: 65%  
Temperature: 26  
Humidity: 65%  
Temperature: 26  
Humidity: 65%  
Temperature: 26  
Humidity: 66%  
Temperature: 26  
Humidity: 65%  
Temperature: 26  
Humidity: 65%  
Temperature: 26  
Humidity: 65%
```

Autoscroll

Both NL & CR

9600 baud